

# AIR MOVING MOTOR: 5.7 in. / 144.8 mm. 120 V 2-Stage

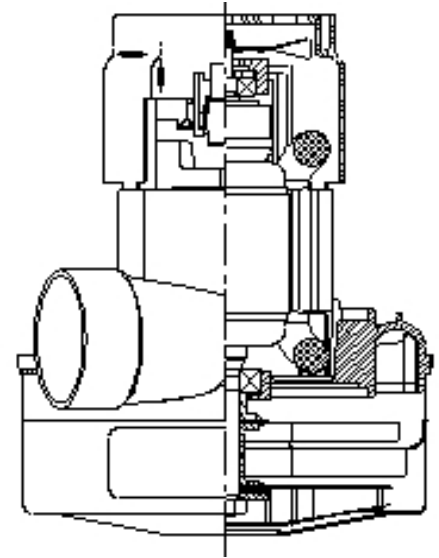
MODEL:119631-00

## SPECIFICATIONS

|                          |                   |
|--------------------------|-------------------|
| <b>Motor Type:</b>       | Series Universal  |
| <b>Input Voltage:</b>    | 120 VAC, 50/60 Hz |
| <b>Frequency:</b>        | 50/60 Hz          |
| <b>Fan Diameter:</b>     | 5.7 in./144.8 mm  |
| <b>No. Fan Stages:</b>   | 2                 |
| <b>Fan System Style:</b> | Bypass            |
| <b>Air Discharge:</b>    | Tangential        |
| <b>Operating Temp:</b>   | 32-104°F/0-40°C   |
| <b>Bearing System:</b>   | Ball/Ball         |
| <b>Frame:</b>            | Skeleton          |
| <b>Brush Type:</b>       | Carbon            |
| <b>Inlet Tube Dia.:</b>  | None              |
| <b>RFI Choke:</b>        | None              |
| <b>Speed:</b>            | 1                 |

## ADDITIONAL FEATURES

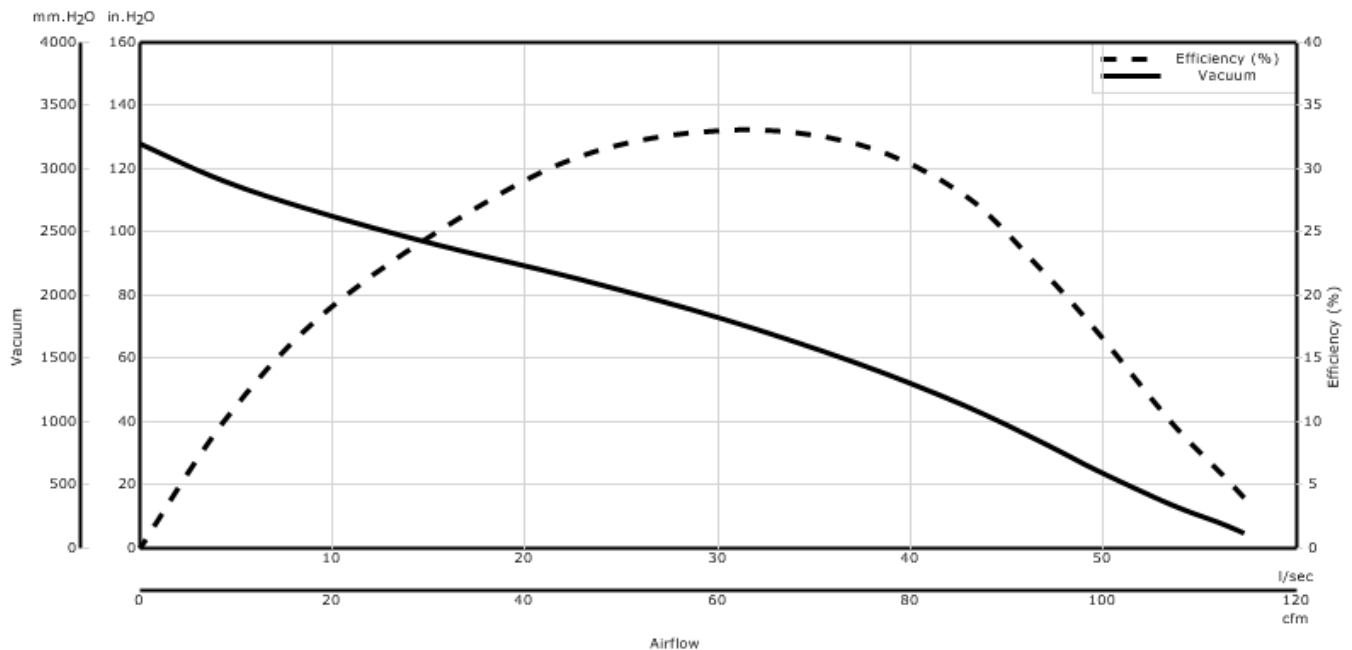
|                             |               |
|-----------------------------|---------------|
| <b>Regulatory:</b>          | UL Recognized |
| <b>Comm Bracket:</b>        | Aluminum      |
| <b>Fan Bracket:</b>         | Aluminum      |
| <b>Therm Protect:</b>       | None          |
| <b>Insulation Class:</b>    | Class A       |
| <b>Added Bearing Prot.:</b> |               |
| <b>Fan Shell Coat:</b>      | None          |
| <b>Electrical Conn.:</b>    | Lead Wires    |
| <b>Duty Cycle:</b>          | Intermittent  |
| <b>Special Feature:</b>     |               |



## Design Application

Equipment operating in environments requiring separation of working air from motor ventilating air.  
Designed to handle clean,dry, filtered air only

## PERFORMANCE



\* Data represents performance of a typical motor sampled from a large production quantity. Individual motor data may vary, due to normal manufacturing variations."

Data shown is measured at regulated nominal voltage and normalized to standard atmospheric pressure and temperature.

## ENGLISH

| Orifice (inches) | Amps  | Watts (In) | RPM   | Vac (In. H2O) | Flow (CFM) | Air Watts |
|------------------|-------|------------|-------|---------------|------------|-----------|
| 2.000            | 14.40 | 1659       | 22826 | 4.8           | 114.5      | 65        |
| 1.750            | 14.40 | 1655       | 22820 | 7.9           | 112.1      | 105       |
| 1.500            | 14.40 | 1653       | 22723 | 13.8          | 106.9      | 173       |
| 1.250            | 14.40 | 1655       | 22710 | 24.7          | 99.4       | 289       |
| 1.125            | 14.40 | 1649       | 22753 | 33.7          | 93.6       | 371       |
| 1.000            | 14.30 | 1646       | 22920 | 45.3          | 85.4       | 454       |
| 0.875            | 14.10 | 1616       | 23106 | 58.5          | 74.3       | 511       |
| 0.750            | 13.50 | 1554       | 23513 | 72.4          | 60.5       | 515       |
| 0.625            | 12.70 | 1469       | 24163 | 85.2          | 45.4       | 454       |
| 0.500            | 11.80 | 1365       | 25156 | 96.1          | 30.8       | 348       |
| 0.375            | 10.70 | 1247       | 26233 | 106.5         | 18.2       | 228       |
| 0.250            | 9.70  | 1137       | 27593 | 116.3         | 8.7        | 119       |
| 0.000            | 9.00  | 1056       | 28743 | 128.0         | 0.0        | 0         |

## METRIC

| Orifice (mm) | Amps  | Watts (In) | RPM   | Vac (mm H2O) | Flow (l/Sec) | Air Watts |
|--------------|-------|------------|-------|--------------|--------------|-----------|
| 48.000       | 14.40 | 1657       | 22823 | 157.0        | 53.5         | 83        |
| 40.000       | 14.40 | 1654       | 22752 | 306.0        | 51.2         | 153       |
| 30.000       | 14.40 | 1652       | 22734 | 753.0        | 45.4         | 334       |
| 23.000       | 14.20 | 1624       | 23060 | 1,402.0      | 36.4         | 497       |
| 19.000       | 13.50 | 1552       | 23526 | 1,845.0      | 28.4         | 514       |
| 16.000       | 12.70 | 1472       | 24137 | 2,151.0      | 21.7         | 456       |
| 13.000       | 11.90 | 1375       | 25057 | 2,413.0      | 15.2         | 359       |
| 10.000       | 10.90 | 1265       | 26071 | 2,665.0      | 9.5          | 246       |
| 6.500        | 9.80  | 1143       | 27525 | 2,942.0      | 4.3          | 124       |
| 0.000        | 9.00  | 1056       | 28743 | 3,251.0      | 0.0          | 0         |

\* Metric data is calculated based on ASTM standards  
 Box tests are performed to ASTM F558

WARNING: When using AMETEK vacuum motors in machines that come in contact with foam, liquid (including water), or other foreign substances, the machine must be designed and constructed to prevent those substances from reaching the fan system, motor housing, and electrical components. Ametek motors other than hazardous duty models should not be applied in machines that come in contact with dry chemicals or other volatile materials. Failure to observe these precautions could cause flashing (depending on volatility) or electrical shock which could result in property damage and severe bodily injury, including death in extreme cases. All applications incorporating Ametek motors should be submitted to appropriate organizations or agencies for testing specifically related to the safety of your equipment.