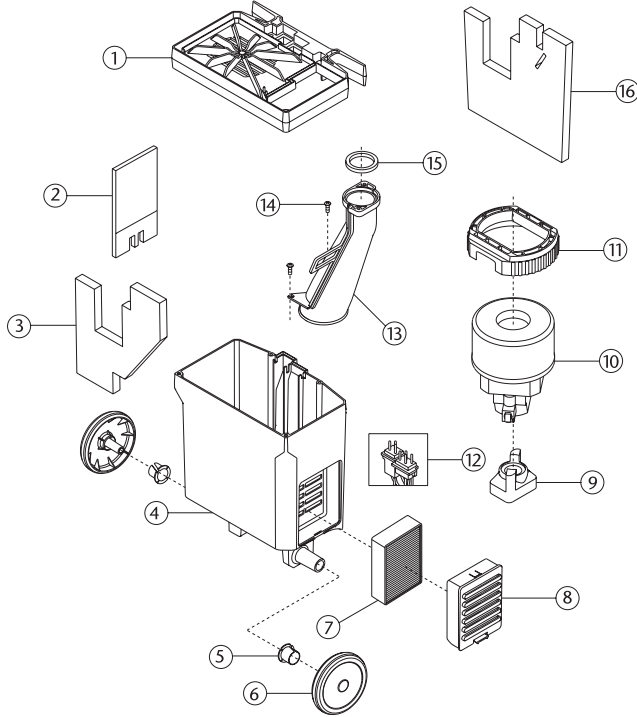
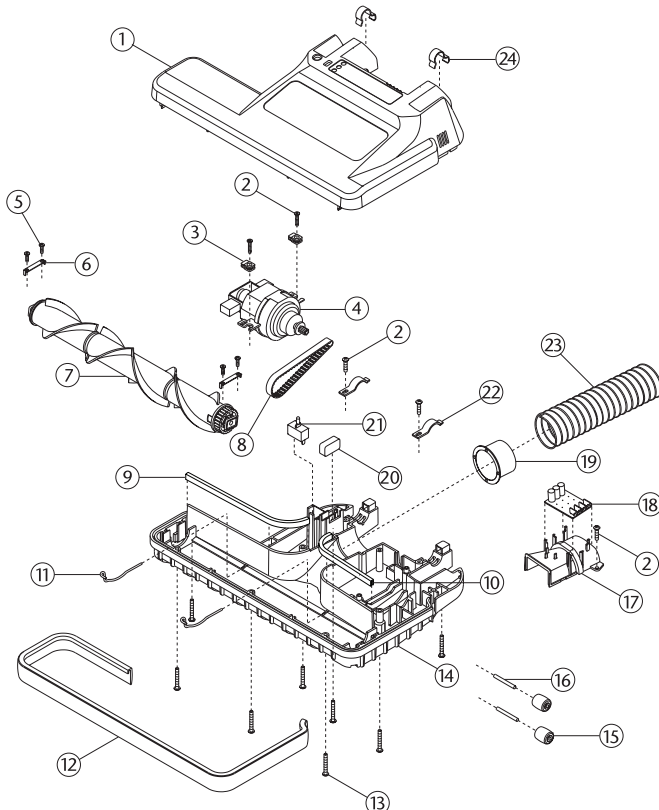


## motor housing



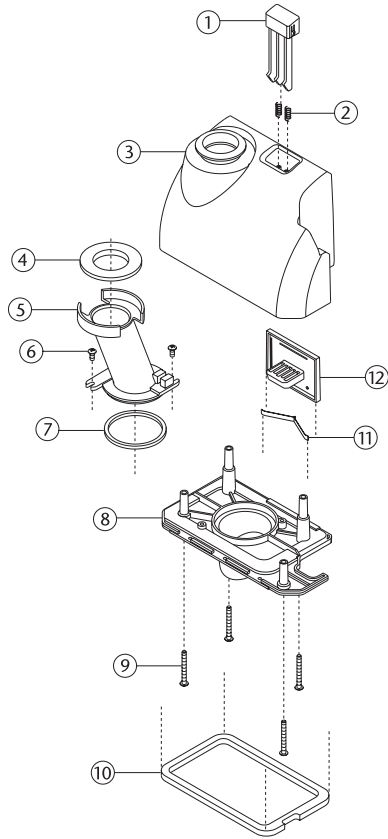
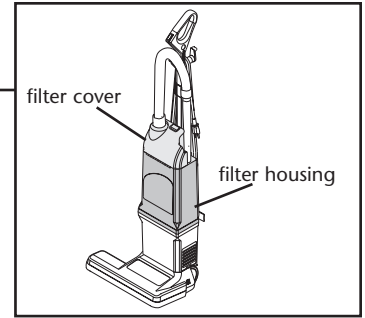
	PART#	DESCRIPTION	QTY
1	104245	Bulkhead,15/15XP, Black	1
2	103533	Foam, Sound, Motor Housing, Left Panel	1
3	103532	Foam, Sound, Motor Housing, Front Panel	1
4	104782	Motor Housing, 15/15XP, Blue	1
5	104504	Bearing, Pivot	2
6	104306	Wheel, Rear	2
7	104280	Filter, Exhaust	1
8	104785	Cover, Cartridge	1
9	104247	Motor Mount, Lower, Nitrile	1
10	104170	Motor, Vacuum, 120V, 4.2", 2-stage	1
11	104249	Motor Mount, Upper, Nitrile	1
12	104783	Harness, Wire, Main Power Supply F/15XP	1
13	104250	Duct, Air, Lower	1
14	104209	Screw, Phillips, 4.2mm x 19mm F/Lower Air Duct	2
15	104253	Seal, Lower Air Duct , Nitrile	1
16	103531	Foam, Sound, Motor Housing, Rear Panel	1

## power nozzle



	PART#	DESCRIPTION	QTY
1	104792	Cover Assembly, Power Nozzle, Blue with Detent Springs	1
2	104495	Screw, Phillips, 4.2mm x 19mm F/Powerhead	5
3	104498	Grommet, Vibration, Power Nozzle Motor, Nitrile	2
4	104506	Motor, Power Nozzle with Crimps	1
5	104496	Screw, Phillips, 2.9mm x 13mm, F/Brush Retainer	4
6	104499	Retainer, Brush	2
7	104216	Brush Roll, Power Nozzle, 14"	1
8	104217	Belt, Drive, F/Brush Roll	1
9	104736	Seal, Base Cover, Air Duct, Left	1
10	104737	Seal, Base Cover, Air Duct, Right	1
11	104500	Brace, Support, Formed Wire, F/Power Nozzle Base Plate	2
12	104218	Bumper, Power Nozzle, Vinyl	1
13	104497	Screw, Phillips, 4.2mm x 32mm	8
14	104221	Baseplate, Power Nozzle	1
15	104501	Roller, Front	2
16	104502	Shaft, Plated, Front Roller Axle	2
17	104224	Cover, Air Duct, Power Nozzle	1
18	104226	Board, Vacuum Operation Indicator	1
19	104227	Sleeve, Hose, Air Duct	1
20	104786	Foam Block	1
21	104212	Circuit Breaker	1
22	104503	Clamp, Rear Wheel	2
23	104230	Hose, Power Nozzle to Air Duct, Lower	1
24	104507	Spring, Detent, Upright Lock	2

# ProCare 15XP parts list



## filter cover

	PART#	DESCRIPTION	QTY	LIST
	1	Latch, Release, Bag Cover	1	
	2	Spring, Pressure, Release Button, F/Bag Cover Latch	2	
	3	Cover, Bag Gray F/15XP	1	
	4	Seal, Transition Duct/Bag Cover, Upper	1	
	5	Duct, Transition, Bag Cover, F/15XP	1	
	6	Screw, Phillips, 4.2mm x 9.5mm	2	
	7	Seal, Transition Duct/Bag Cover Nozzle Plate, Lower	1	
	8	Plate, Bag Cover Nozzle, F/15XP	1	
	9	Screw, Phillips, 4.2mm x 38mm F/Bag Cover	4	
	10	Seal, Bag Cover	1	
	11	Spring, Bag Cover Latch	1	
	12	Plate, Latch, Bag Cover	1	

## filter housing/handle

	PART#	DESCRIPTION	QTY
	1	Seal, Gasket, Bag Housing	1
	2	Disposable Intercept, Micro Filter	1
	3	Filter, Motor Intake	1
	4	Screw, Phillips, 2.9mm x 13mm, F/Switch Cover	1
	5	Cover, Switch, Filter, Lock-out	1
	6	Switch, Filter Lock-Out	1
	7	Screw, Phillips, 4.2mm x 38mm F/Bag Housing	4
	8	Rivet F/Bag Housing Assembly	6
	9	Bag Housing Assembly, Gray, Includes Bag Cover Nozzle Plate w/Riveted Hinge, F/15XP	1
	10	Plate, Handle Nut	1
	11	Guide, Wand, Upper Left	1
	12	Guide, Wand, Upper Right	1
	13	Screw, Phillips, 42mm x 19mm F/Wand Guide	2
	14	Switch, Wand Lockout	1
	15	Harness, Wire, F/Upper Handle Switch	1
	16	Wand F/15XP	1
	17	Cuff, Swivel, 1.25" x 1.25" Hose, Black	1
	18	Hose, Stretch, 1.25", F/15XP, Black	1
	19	Cuff, End, Swivel, Bag Cover, Black	1
	20	Bushing, Handle Tube	1
	21	Handle, Carry W/Caddy, F/15XP	1
	22	Screw, Handle Assembly	1
	23	Cord, Power, W/Strain Relief, 50'	1
	24	Handle, Square Tube, Includes Rivet Nut	1
	25	Screw, Phillips, M4 x 10mm x .07 Pitch, F/Handle Assembly	1
	26	Bracket, Cord Wrap	1
	27	Spring, Compression, Cord Wrap Bracket	1
	28	Washer, Compression Spring, Cord Wrap Bracket	1
	29	Screw, Cord Wrap Bracket	1
	30	Switch, Rocker, On/Off	1
	31	Handle W/Over Mold	1

