

Sanitaire



9 GALLON
Self Contained
Extractor SC6095A

Owner's Guide

IMPORTANT

Do not return this product to the store.
Call 1-800-800-8975*

Monday - Friday 8:00 AM to 7:30 PM
and Saturday 10 AM to 6:30 PM

Central time or visit our web site,
www.sanitairevac.com for any of the
following:

- assembly problems
- replacement of broken or missing items
- to review repair parts list
- to order replacement parts and accessories
- to locate the nearest sanitaire warranty station

*En Mexico llame al 5670-6169

www.sanitairevac.com

PLEASE RETAIN

We suggest you record the model, type, and serial numbers below. They are located on the silver rating plate on your unit. For prompt and complete service information, always refer to these numbers when inquiring about service.

Model & Type _____

Serial No. _____

It is also important to keep your receipt as proof of date of purchase.

WARRANTY

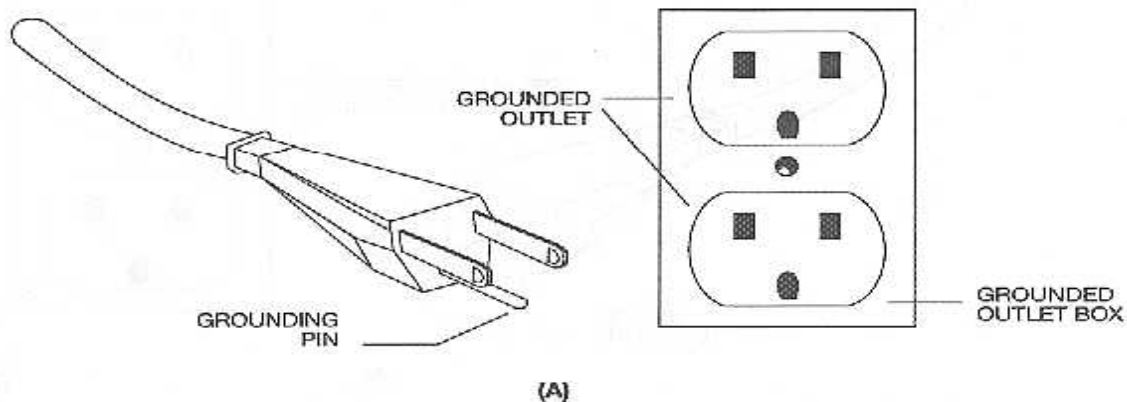
Your new Sanitaire unit is a high quality, precision-made product. All parts used in the manufacturing of this unit have passed rigid quality control standards prior to assembly. The motor is warranted for 1 year from the date of purchase as shown on your receipt / invoice. All other parts are warranted for 90 days from the date of purchase. Failures due to misuse, neglect, abuse or normal wear and tear are not covered by this warranty. Sanitaire shall not be responsible for any incidental or consequential damages. Please safeguard the original receipt / invoice. If you experience any problems with your unit during the warranty period, the original receipt / invoice will act as proof of purchase. Contact Sanitaire for any warranty inquiries. Do not return a failed unit to the place of purchase or service center. Any charges for the shipping of a Sanitaire unit under warranty are purchaser's responsibility unless Sanitaire requests such return in writing. This warranty gives you specific legal rights, and you may also have other rights, which vary from state to state. There are no warranties, express or implied, written or verbal, which extend beyond the description found in this manual.

GROUNDING INSTRUCTIONS

This appliance must be grounded. If it should malfunction or breakdown, grounding provides a path of least resistance for electric current to reduce the risk of electric shock. This appliance is equipped with a cord having an equipment grounding conductor and grounding plug. The plug must be inserted into an appropriate outlet that is properly installed and grounded in accordance with all local codes and ordinances.

WARNING - Improper connection of the equipment grounding conductor can result in a risk of electric shock. Check with a qualified electrician or service person if you are in doubt as to whether the outlet is properly grounded. Do not modify the plug provided with the appliance, if it will not fit the outlet, have a proper outlet installed by a qualified electrician.

This appliance is for use on a nominal 120-volt circuit and has a grounding attachment plug that looks like the plug illustrated in sketch (A). Make sure that the appliance is connected to an outlet having the same configurations the plug. No adaptor should be used with this appliance.



SAFETY INSTRUCTIONS & WARNINGS

IMPORTANT SAFETY INSTRUCTIONS

READ AND UNDERSTAND ALL INSTRUCTIONS BEFORE USING THIS UNIT

Read and understand this owner's manual and all labels on the unit before operating. Safety is a combination of common sense, staying alert and knowing how your unit works. Use this unit only as described in this manual. To reduce the risk of personal injury or damage to your unit use only Sanitaire recommended accessories

For Commercial use,

SAVE THIS MANUAL FOR FUTURE REFERENCE

When using an electrical appliance, basic precautions should always be followed including the following:

WARNING: TO REDUCE THE RISK OF FIRE, ELECTRICAL SHOCK OR INJURY:

- Do not run the unit unattended
- Do not use this unit near flammable liquids, gases, or explosive vapors like gasoline or other fuels, lighter fluids, cleaners, oil-based paints, natural gas, hydrogen, or explosive dusts like coal dust, magnesium dust, grain dust, or gun powder. Sparks inside the motor can ignite flammable vapors or dust.
- Keep the cord away from heated surfaces.
- Do not expose to rain. Store indoors.
- Do not unplug by pulling on cord. To unplug, grasp the plug.
- Do not use with damaged cord, plug, or other parts.
- If the unit is not working as it should, has been dropped, damaged, left outdoors, or dropped into water, return it to a service center.
- Do not pull or carry by the cord, use the cord as a handle, close a door on a cord, or pull cord around sharp edges or corners.
- Do not run the unit over the cord.
- Do not handle the plug or the unit with wet hands.
- To reduce the risk of health hazards from vapors or dusts, do not vacuum toxic materials.
- Do not store near hazardous materials.
- Do not use the unit with a torn filter or without the filter installed except when vacuuming liquids as described in the operations section of this manual.
- Do not allow it be used as a toy. Close attention is necessary when used by or near children.
- To reduce the risk of injury from accidental starting, unplug power cord before changing or cleaning filter.
- Do not leave the unit unattended when plugged in. Unplug from wall outlet when not in use and before servicing.
- Turn off the unit before unplugging.
- Do not put any object into ventilation openings. Do not operate with any ventilation openings blocked; keep free of dust, lint, hair or anything that may reduce air flow.
- Keep hair, loose clothing, fingers and all parts of the body way from openings and moving parts.
- To reduce the risk of falls, use extra care when using the unit on stairs.
- Do not pick up hot ashes, coals, toxic, flammable or other hazardous materials.

EXTENSION CORDS

When using an extension cord with your Wet/Dry Vacuum refer to the following table to determine the required A.W.G. wire size. Before using the cleaner make sure the power cord and extension cord are in good working conditions. Make repairs or replacements before using the vacuum cleaner. Only use extension cords that are rated for outdoor use.

Length of Extension Cord				
	25 Feet	50 Feet	100 Feet	150 Feet
110V-120V	7.5 Meter	15.25 Meters	30.5 Meters	45.7 Meters
Amps	A.W.G Wire Size			
0-6	18	16	16	14
7-10	18	16	14	12
11-12	16	16	14	12
13-16	14	12	Not recommended	

GENERAL INSTRUCTIONS

PRE-OPERATION INSTRUCTIONS

NOTE: (color fastness) Before using carpet cleaning chemicals, test on an inconspicuous part of the carpet for color fastness. Place the solution on a small piece of clean white material or tissue, then rub the carpet vigorously. Excessive amounts of dye showing on the material would indicate that the colors are not fast, and should not be wet cleaned.

- 1) Fill the solution tank with 9 gallons of warm water.
WARNING: DO NOT overfill.
- 2) Measure carpet cleaning solution per manufacturer's recommended ratio into the clean water tank. DO NOT use the waste tank to fill the solution tank as debris could damage the pump or block the jet. **WARNING:** DO NOT exceed 150° (65° C)
- 3) Add defoamer solution per manufacturer's instructions as needed.



OPERATION OF SELF-CONTAINED CARPET CLEANER

- 1) Plug main power cable into outlet.
WARNING: This machine must be properly grounded.
- 2) Press the Vac switch to the ON position. Then press the pump switch ON and the brush switch to the ON position.
- 3) Lower carpet brush. Push brush lowering pedal forward to lower brush. Push down and back to raise brush.
- 4) Press and hold the solution switch to apply the cleaning solution. Pull the machine backwards at the same time to clean the carpet. Stop the solution spray about 12" (30cm) before the end so all of the solution is vacuumed up. Slightly overlap the next cleaning pass to prevent streaking. A two (2) wet pass maximum is recommended to avoid over-wetting. After a few passes, check the waste tank to see that no foam is present. Add extra defoamer if necessary.
- 5) Make sure to empty the recovery (top) tank when it is approximately 3/4 full. Do not refill the solution tank without emptying all the contents of the recovery tank first.



GENERAL INSTRUCTIONS

STORAGE

WHEN CLEANING IS FINISHED:

- 1) Connect the drain solution hose (gray hose with brass connector) to the solution fitting at the front of the machine and place the other end at drain. Turn on the PUMP switch. This will pump the remaining solution into the waste tank for easy drainage.
- 2) To disconnect the solution hose, push in on the ring of the solution filling. Switch off the machine, remove power plug from the socket, and empty the waste tank. Leave waste tank open when storing.
- 3) Leave brush raised for storage.



ACCESSORIES / TOOLS (OPTIONAL)

For upholstery cleaning and inaccessible areas. Attach recovery hose to recovery hose position of vacuum shoe. Connect the accessory solution hose to the solution fitting at the front of the machine by pushing back the locking ring to fit. Turn on vacuum and pump.



ROUTINE MAINTENANCE INSTRUCTIONS

DAILY / INTERVAL

- 1) Check the spray jet for blockage and a uniform spray pattern. Remove jet and blow through to clean. Do not use a pin as this may cause damage to the jet.
- 2) Check and remove any debris or lint build-up from the vacuum head, brush, and brush housing.
- 3) Always wash out the tanks with clean water after use. To do this, pour clean water into the solution tank and spray through spray tip to clear chemical residue from the pump, lines, and spray tip. Allow the vacuum to run for a few minutes after use to aid the machine in drying out and to help prevent bacteria and odors.

WEEKLY

- 1) Inspect hoses (unseen blockages sometimes occur), hose cuffs, and the rubber seal on the recovery tank lid. The main cable, plug, and switches should also be examined for damage.

NOTE: It is advisable to store the unit with the recovery tank lid removed.

CAUTION: THIS UNIT MUST BE PROTECTED FROM FREEZING. Damage from freezing could cause machine to malfunction.

MAINTENANCE GUIDE

Motors not running

CAUSE:

- 1) Power not reaching main switch.
- 2) Defective power cord.
- 3) Faulty switches or wiring.
- 4) Blown fuse or tripped circuit breaker
- 5) Problem with brushes, field windings, or armatures. (vacuum or brush motor)

SOLUTION:

- 1) Check power supply. Check fuses/circuit breaker. Contact service center.
- 2) Replace with 14 guage cord.
- 3) Contact manufacturer or service center.
- 4) Reset circuit breaker according to operating instructions or replace fuse if qualified..
- 5) Contact manufacturer or service center.

Loss of vacuum suction

CAUSE:

- 1) Vacuum head blocked.
- 2) Hoses blocked.
- 3) Recovery tank not sealed properly.

SOLUTION:

- 1) Visually inspect and clear blockage.
- 2) Visually inspect and clear blockage.
- 3) Check tank for damage or adjust lid for proper fit.

Brush not functioning properly

CAUSE:

- 1) Belt broken.
- 2) Brush jammed.
- 3) Clutch bearing seized.

SOLUTION:

- 1) Replace belt.
- 2) Visually inspect and clear blockage.
- 3) Contact manufacturer or service center.

Spray jet not functioning properly

CAUSE:

- 1) Jet blocked.
- 2) Solution filter blocked.
- 3) Pump head, valves or diaphragm blocked or damaged.
- 4) Solenoid valve inoperative

SOLUTION:

- 1) Visually inspect and clean according to operating instructions.
- 2) Visually inspect and clean according to operating instructions.
- 3) Contact manufacturer or service center.
- 4) Contact manufacturer or service center.