

AIR MOVING MOTOR: 7.2 in. / 182.9 mm. 220 V 3-Stage

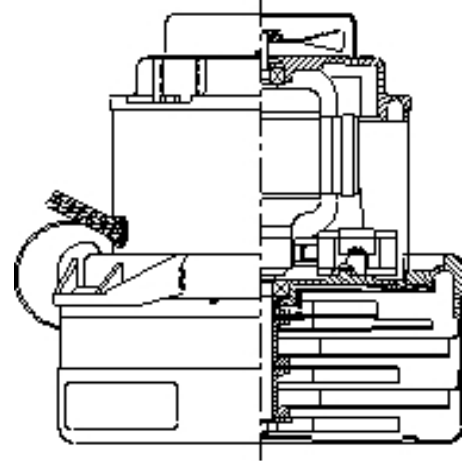
MODEL:116136-00

SPECIFICATIONS

Motor Type:	Series Universal
Input Voltage:	220 VAC, 50/60 Hz
Frequency:	50/60 Hz
Fan Diameter:	7.2 in./182.9 mm
No. Fan Stages:	3
Fan System Style:	Bypass
Air Discharge:	Tangential
Operating Temp:	32-104°F/0-40°C
Bearing System:	Ball/Ball
Frame:	Skeleton
Brush Type:	Carbon
Inlet Tube Dia.:	None
RFI Choke:	None
Speed:	1

ADDITIONAL FEATURES

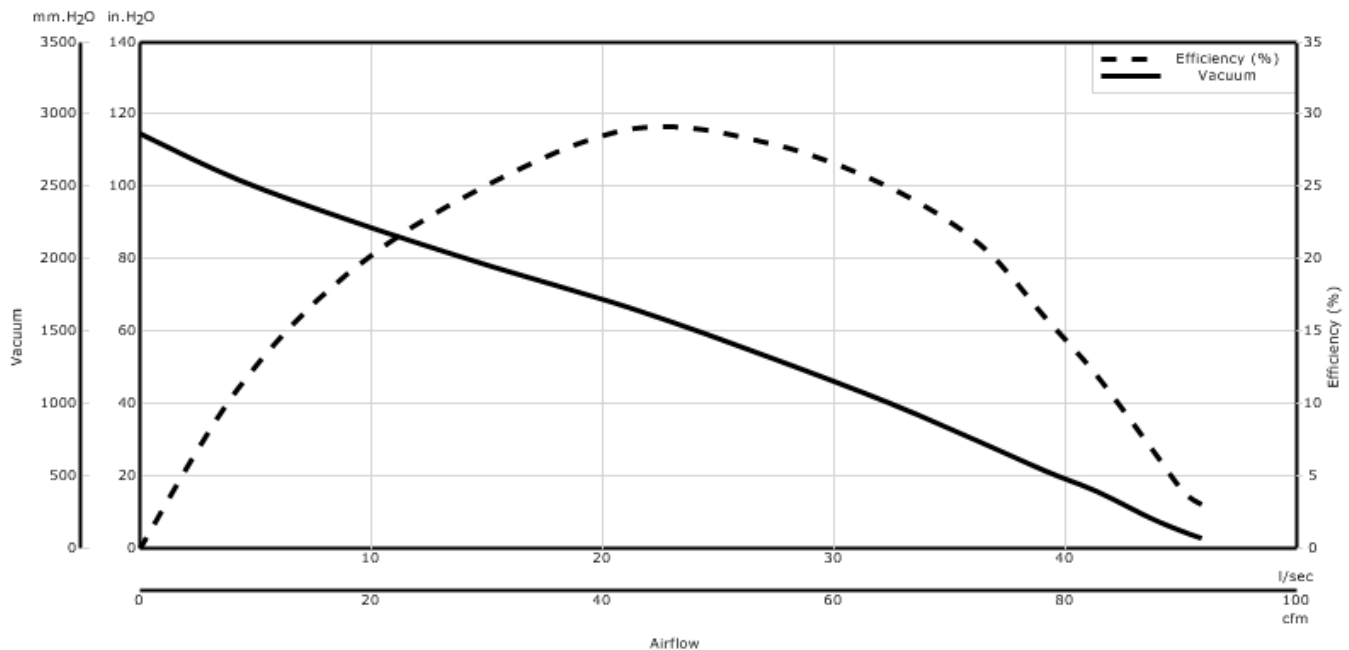
Regulatory:	UL Recognized
Comm Bracket:	Aluminum
Fan Bracket:	Aluminum
Therm Protect:	None
Insulation Class:	Class A
Added Bearing Prot.:	Air Seal
Fan Shell Coat:	None
Electrical Conn.:	Lead Wires
Duty Cycle:	Intermittent
Special Feature:	



Design Application

Equipment operating in environments requiring separation of working air from motor ventilating air. Designed to handle clean, dry, filtered air only

PERFORMANCE



* Data represents performance of a typical motor sampled from a large production quantity. Individual motor data may vary, due to normal manufacturing variations."

Data shown is measured at regulated nominal voltage and normalized to standard atmospheric pressure and temperature.

ENGLISH

Orifice (inches)	Amps	Watts (In)	RPM	Vac (In. H2O)	Flow (CFM)	Air Watts
2.000	6.30	1222	15824	2.9	91.8	32
1.750	6.30	1229	15795	4.9	90.2	51
1.500	6.30	1233	15749	8.5	87.4	87
1.250	6.40	1239	15743	15.7	82.7	152
1.125	6.30	1228	15720	21.4	78.2	197
1.000	6.30	1228	15733	29.6	72.7	253
0.875	6.30	1219	15791	40.2	64.8	306
0.750	6.20	1208	15972	52.9	54.6	339
0.625	6.00	1165	16257	66.5	42.6	333
0.500	5.60	1092	16927	79.0	29.6	275
0.375	5.10	1007	17788	91.0	17.9	192
0.250	4.70	927	18756	102.3	8.4	101
0.000	4.30	856	19714	114.9	0.0	0

METRIC

Orifice (mm)	Amps	Watts (In)	RPM	Vac (mm H2O)	Flow (l/Sec)	Air Watts
48.000	6.30	1225	15811	96.0	43.0	40
40.000	6.30	1232	15763	188.0	41.6	76
30.000	6.30	1233	15730	478.0	37.9	177
23.000	6.30	1221	15777	954.0	31.5	293
19.000	6.20	1207	15978	1,351.0	25.7	339
16.000	6.00	1167	16246	1,675.0	20.3	333
13.000	5.60	1099	16860	1,975.0	14.6	281
10.000	5.20	1020	17659	2,266.0	9.3	204
6.500	4.70	931	18708	2,584.0	4.2	106
0.000	4.30	856	19714	2,918.0	0.0	0

* Metric data is calculated based on ASTM standards
 Box tests are performed to ASTM F558

WARNING: When using AMETEK vacuum motors in machines that come in contact with foam, liquid (including water), or other foreign substances, the machine must be designed and constructed to prevent those substances from reaching the fan system, motor housing, and electrical components. Ametek motors other than hazardous duty models should not be applied in machines that come in contact with dry chemicals or other volatile materials. Failure to observe these precautions could cause flashing (depending on volatility) or electrical shock which could result in property damage and severe bodily injury, including death in extreme cases. All applications incorporating Ametek motors should be submitted to appropriate organizations or agencies for testing specifically related to the safety of your equipment.